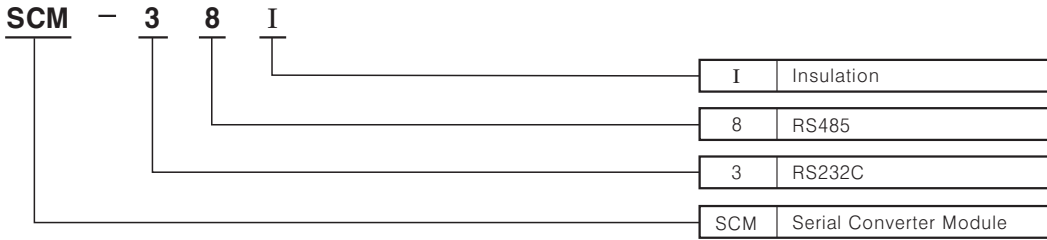


SERIAL CONVERTER MODULE(RS232C ↔ RS485 CONVERTABLE)

Ordering information

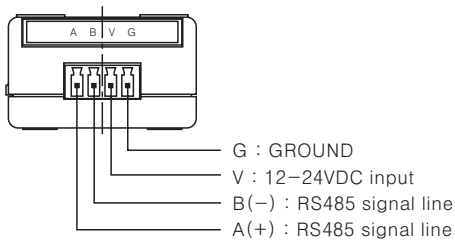


Specifications

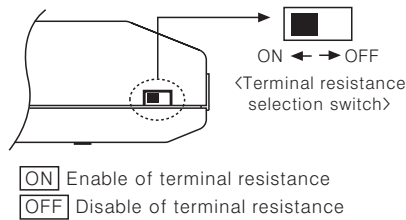
Model		SCM-38I
Appearances & Dimensions		<p>[W39×H23×L75.5mm]</p>
Power supply		12-24VDC
Allowable voltage range		90 ~ 110% of power supply
Power consumption		Approx. 1.7W
Maximum communication speed		1200 ~ 115200bps(1200/2400/4800/9600/12800/25600/56700/115200)
Communication type		Half Duplex type
Available communication distance		Max. 800m
Multi-Drop		Max. 32 Multi-Drop
(Note) Data type	Data Bit	5 ~ 8 Data Bits
	Stop Bit	1 or 2 Stop Bits
	Parity Bit	No/Odd/Even Parity Bit
Connection type	RS232	D-Sub 9Pin
	RS485	4-wire Screw terminal(2wire communication type)

※ (Note) Data type is set by program

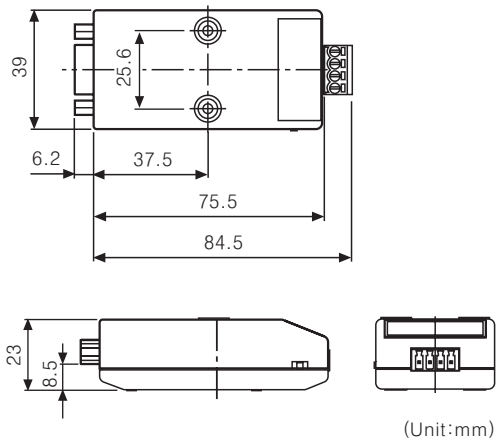
Connections



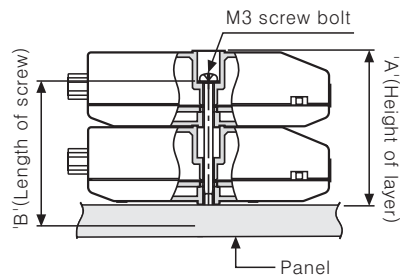
Enable/Disable of terminal resistance



Dimensions



※ Side view of the multilayer



Layers(N)	'A'(23.3N+1.2)	'B'(23.3N-3.3)
1	24.5mm	20mm
2	47.5mm	43.3mm
3	71.1mm	66.6mm
4	94.4mm	89.9mm

(Unit:mm)